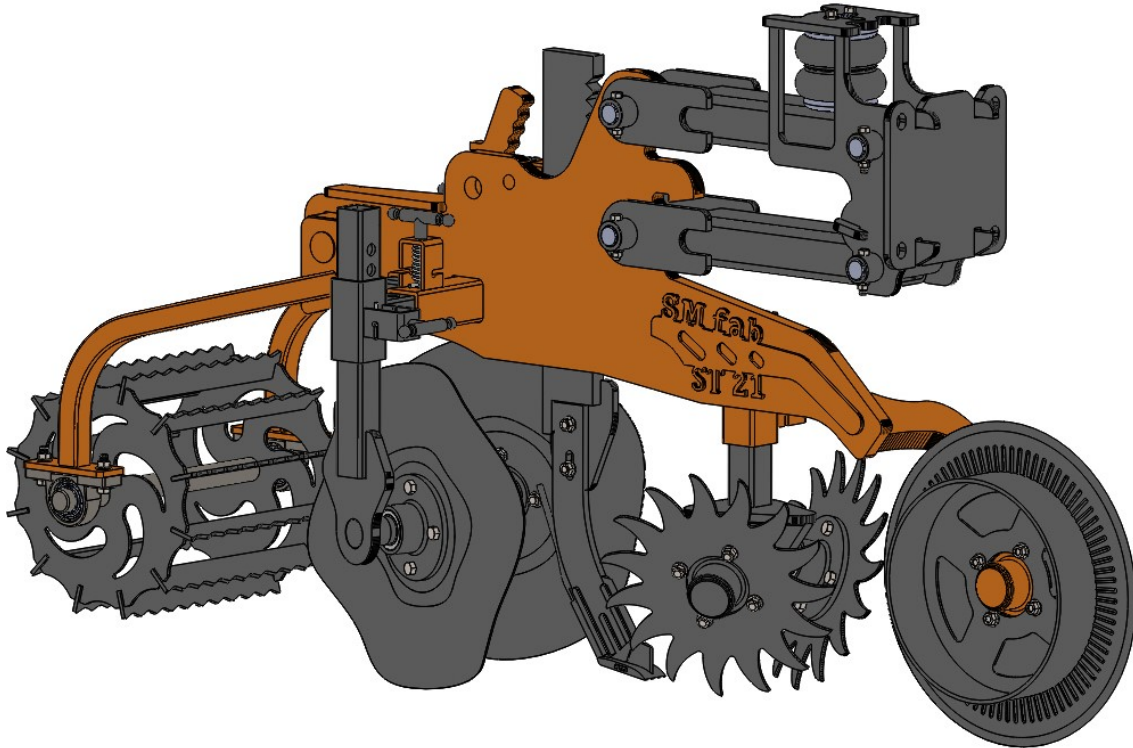


# OWNER AND PARTS MANUAL

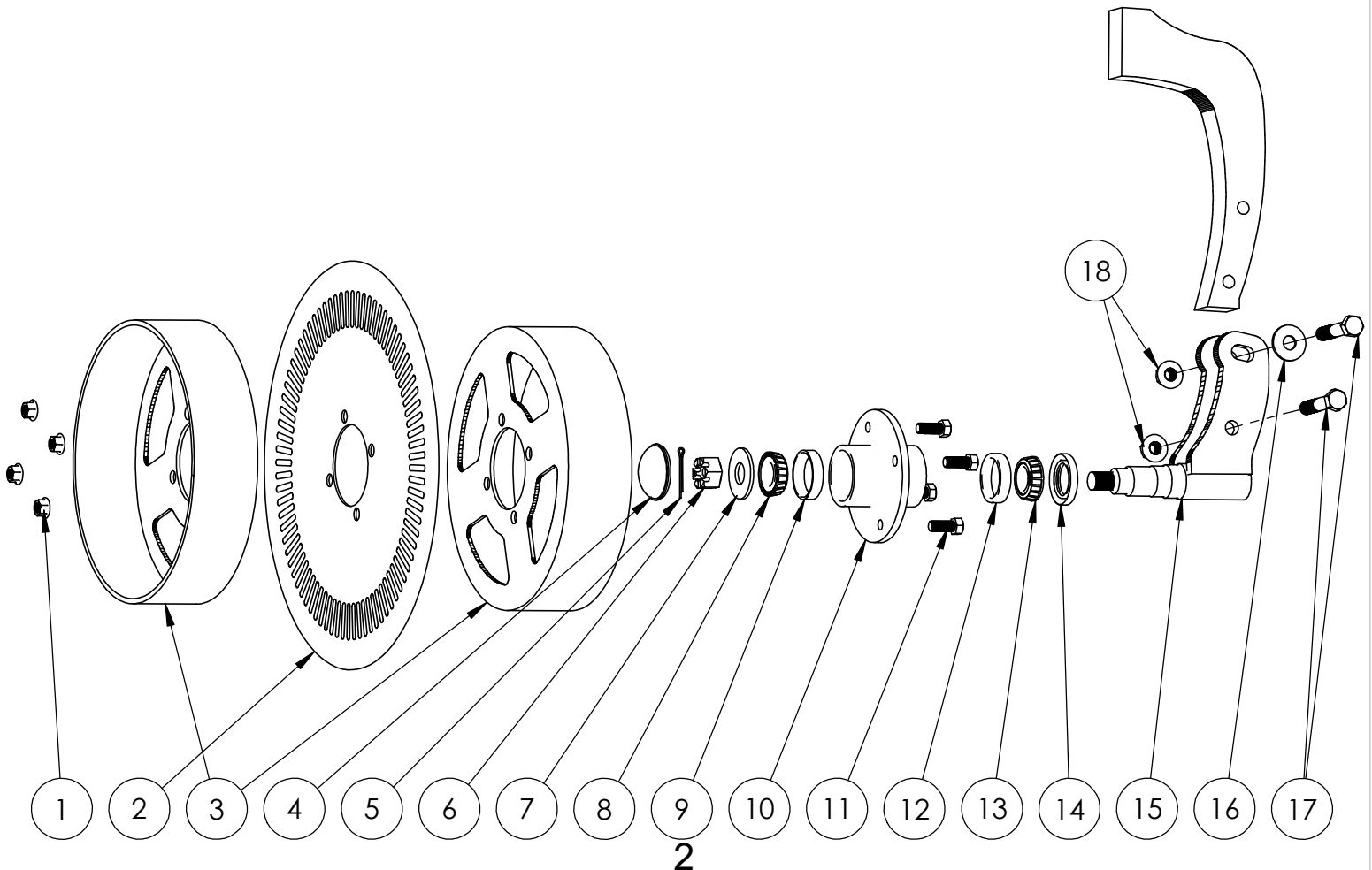
## MODEL: Strip Till



## HEAVY DUTY Strip Till Unit

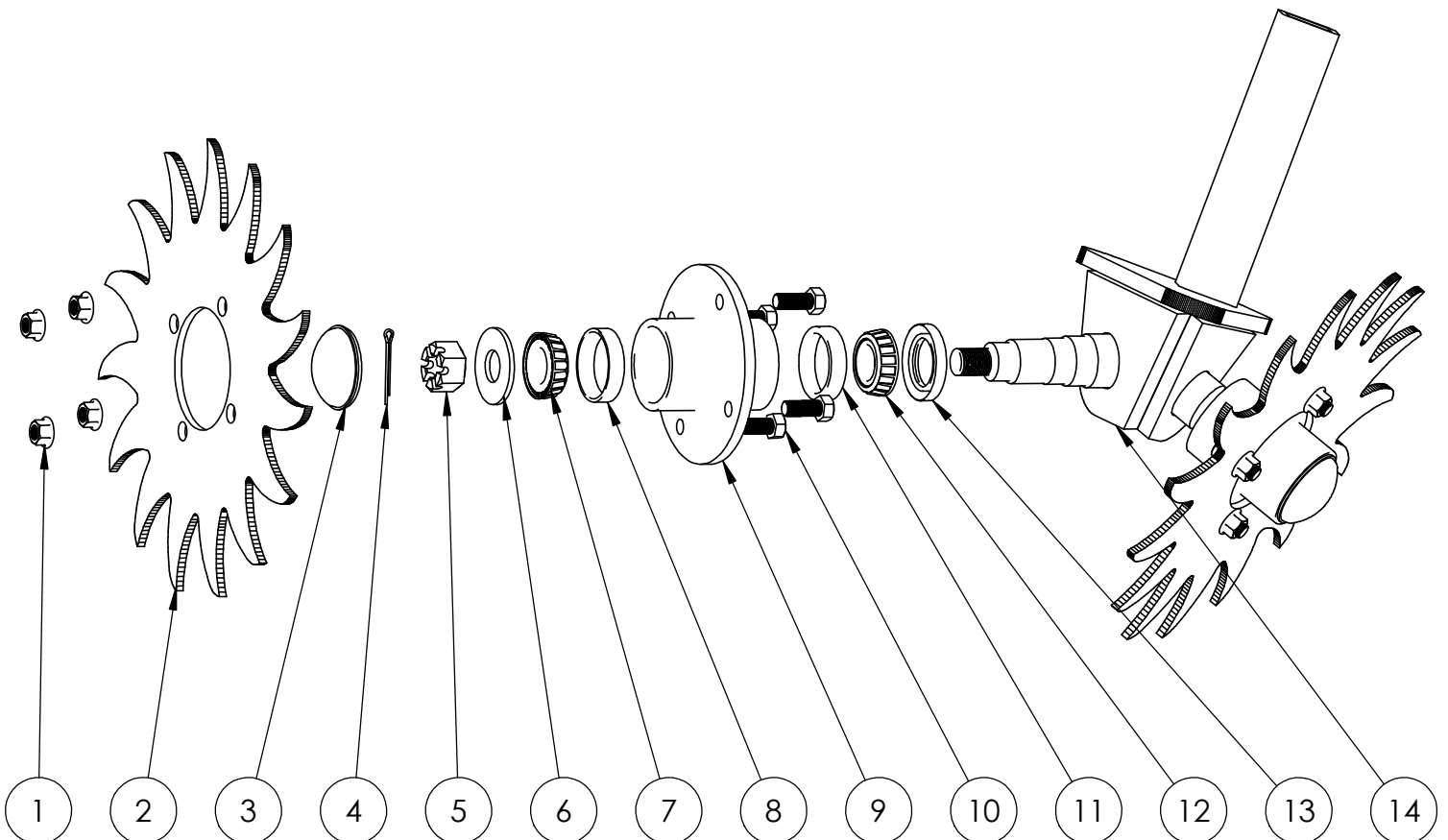
# COULTER ASSEMBLY

ITEM NO.	DESCRIPTION	PART NUMBER	QTY.
1	1/2" FLANGED HEAD WHIZ NUT	11-WZN-12	4
2	20" FLUTED COULTER BLADE	03-F2074-DP	1
3	DEPTH RING	SM-DR	2
4	2.448"X1.24" DUST CAP 1513	06-909905	1
5	5/32"X2" COTTER PIN	05-CP156-200	1
6	7/8"-14 SPINDLE NUT	06-912952	1
7	2"X.94".16" SPINDLE WASHER	06-913607	1
8	OUTER TAPERED ROLLER BEARING	09-P702203	1
9	OUTER RACE/CUP	09-LM67010	1
10	HUB	SM4BH	1
11	1/2"X1-1/4" BOLT	11-G5C12114	4
12	INNER RACE/CUP	JL69310	1
13	INNER TAPERED ROLLER BEARING	09-P752343	1
14	GREASE SEAL	06-906284	1
15	COULTER SPINDLE	SM-CS	1
16	5/8" FLAT WASHER	11-FWZP58	1
17	5/8"X3-1/2" BOLT	11-G5C58312	2
18	5/8" FLANGED HEAD WHIZ NUT	11-WZN-58	2

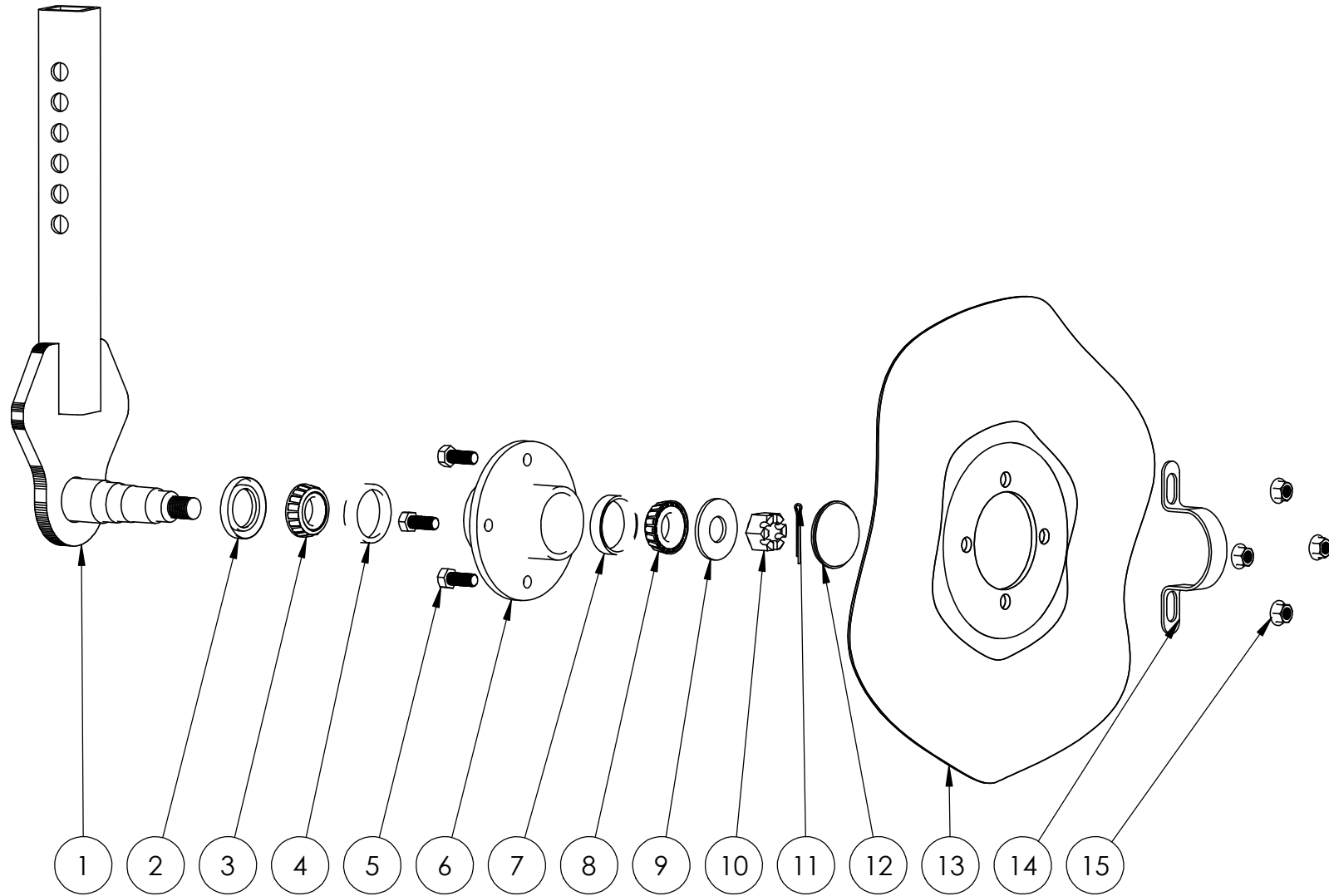


# ROW CLEANER ASSEMBLY

ITEM NO.	DESCRIPTION	PART NO.	QTY.
1	1/2" FLANGED HEAD WHIZ NUT	11-WZN-12	8
2	TRASH WHIPPER DISC	SM-TWD	2
3	2.448"X1.24" DUST CAP 1513	06-909905	2
4	5/32"X2" COTTER PIN	05-CP156-200	2
5	7/8"-14 SPINDLE NUT	06-912952	2
6	2"X.94".16" SPINDLE WASHER	06-913607	2
7	OUTER TAPERED ROLLER BEARING	09-P702203	2
8	OUTER RACE/CUP	09-LM67010	2
9	HUB	SM4BH	2
10	1/2"X1-1/4" BOLT	11-G5C12114	8
11	INNER RACE/CUP	JL69310	2
12	INNER TAPERED ROLLER BEARING	09-P752343	2
13	GREASE SEAL	06-906284	2
14	ROW CLEANER QUICK ADJUST BRACKET	SM-RCQAB	1

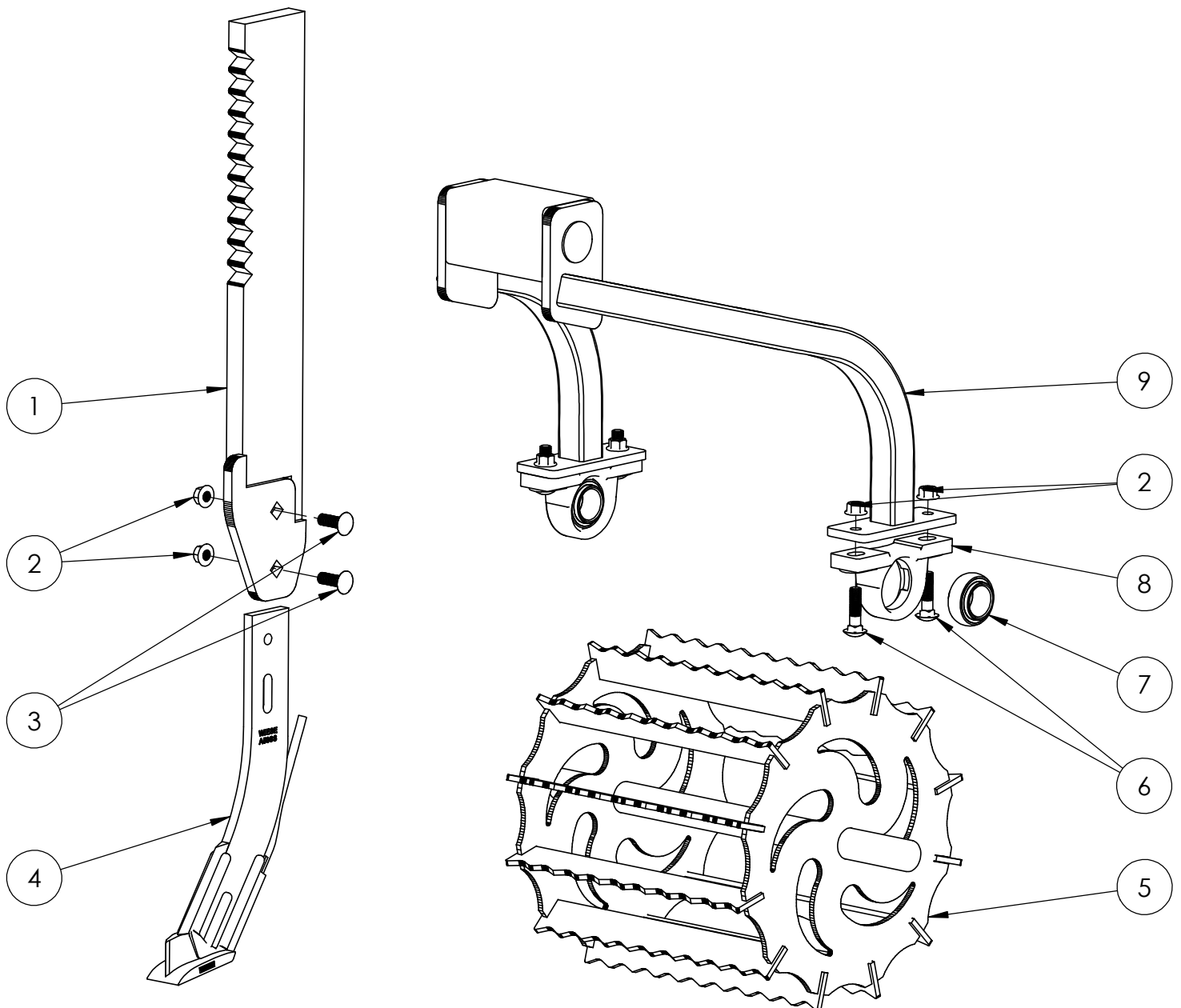


ITEM NO.	DESCRIPTION	PART NO.	QTY.
1	RIGHT SHANK WELDMENT COVERING (as shown in illustration) LEFT SHANK WELDMENT COVERING	SM-SWCR SM-SWCL	1 1
2	GREASE SEAL	06-906284	1
3	INNER TAPERED ROLLER BEARING	09-P752343	1
4	INNER RACE/CUP	JL69310	1
5	1/2"X1-1/4" BOLT	11-G5C12114	4
6	HUB	SM-4BH	1
7	OUTER RACE/CUP	09-LM67010	1
8	OUTER TAPERED ROLLER BEARING	09-P702203	1
9	2"X.94".16" SPINDLE WASHER	06-913607	1
10	7/8"-14 SPINDLE NUT	06-912952	1
11	5/32"X2" COTTER PIN	05-CP156-200	1
12	2.448"X1.24" DUST CAP 1513	06-909905	1
13	17" WAVY COULTER BLADE 8 WAVE	CW104094	1
14	DUST CAP KEEPER	SM-DCK	1
15	1/2" FLANGED HEAD WHIZ NUT	11-WZN-12	4



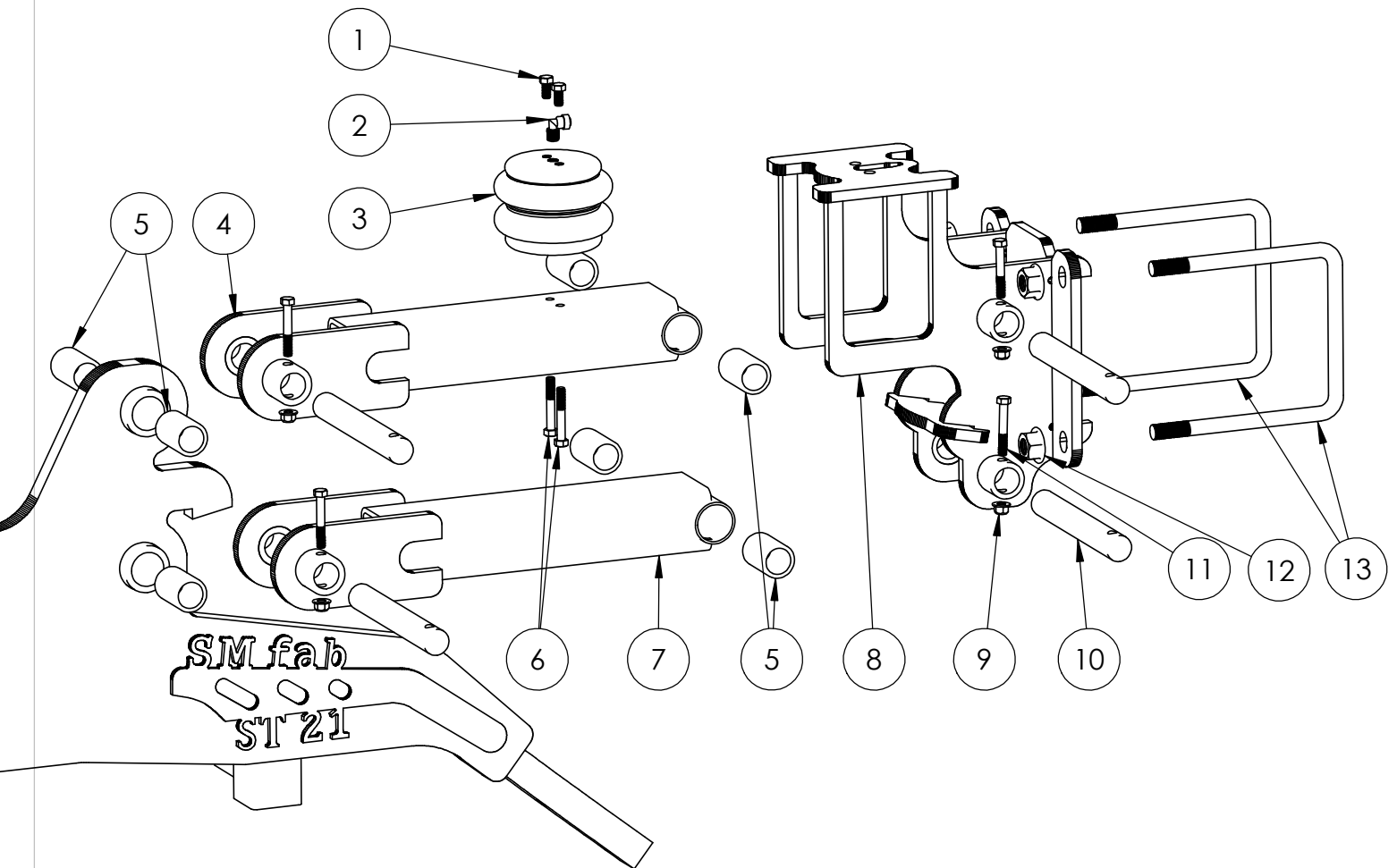
# STRIP TILL KNIFE & ROLLING BASKET ASSEMBLY

ITEM NO.	DESCRIPTION	PART NUMBER	QTY.
1	STRIP TILL SHANK	SM-ST5	1
2	1/2" FLANGED HEAD WHIZ NUT	11-WZN-12	6
3	1/2"X1-1/2" CARRIAGE BOLT	11-CR512112	2
4	STRIP TILL KNIFE	03-A50SS104X	1
5	ROLLING BASKET	SM-RB	1
6	1/2"X2-1/2" CARRIAGE BOLT	11-CR512212	4
7	NTN 1-3/8" RD. INSERT BEARING	09-NPS106RPC	2
8	PILLOW BLOCK HOUSING	09-AK207GSB	2
9	ROLLING STRIP TILL GANG	SM-RSTG	1



# LINKAGE ASSEMBLY

ITEM NO.	DESCRIPTION	PART NUMBER	QTY.
1	3/8"X1" FLANGE BOLT	11-WLFS-381	2
2	ELBOW	00-P0620416B	1
3	AIR BAG	W01-358-1025	1
4	TOP LINKAGE ARM	SMSTTLA	1
5	POLY BUSHING	BM6104	8
6	3/8"X3-1/2" BOLT	11-G5C38312	2
7	BOTTOM LINKAGE ARM	SMSTBLA	1
8	AIR BAG BRACKET	SMABB	1
9	7/16" FLANGED HEAD WHIZ NUT	11-WZN-716	4
10	PIN	SM114	4
11	7/16"X2-1/2" BOLT	11-G5C716212	4
12	3/4" FLANGED HEAD WHIZ NUT	11-WZN-34	4
13	U BOLT	SMUB7X7	2



# STRIP TILL UNIT ASSEMBLY

ITEM NO.	DESCRIPTION	PART NUMBER	QTY.
1	STRIP TILL UNIT	SM-STU	1
2	DISC LOCKING PIN	SM-DLP	1
3	SHANK LOCKING PIN	SM-SLP	6
4	SPRING	4303CS	6
5	SPRING PIN	05-250-250	6
6	LEFT COVERING DISC RIGHT COVERING DISC (not shown)	SM-LCD SM-RCD	1 1

